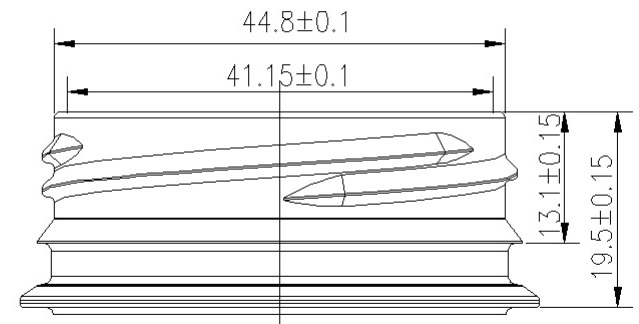
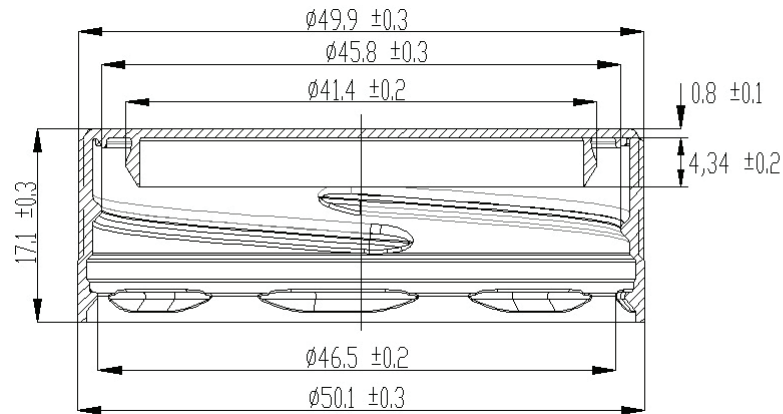




# 104831

48mm Blue HDPE Tamper Evident Closure (Unlined)  
 K.G. International - sales@kgint.com - +1 305 499-9816



| Main dimensional characteristics |              | Mechanical properties  |                     |
|----------------------------------|--------------|--|---------------------|
| Number of Knurls                 | 120          | 14 < Closure torque < 30   | Kg f x cm           |
| External diameter                | 49.9 ± 0,3mm | 7 < Opening torque < 25  | Kg f x cm           |
| Total height                     | 17.1 ± 0,3mm | Stripping torque > 42  | Kg f x cm           |
| Diameter plug                    | 41.7 ± 0,2mm | Air tightness > 0.6  | Bar                 |
| Diameter inside of thread        | 45.8 ± 0,3mm | Stripping torque has been obtained immediately after placement of the cap 24 h after manufacture.<br>Opening torque was obtained after mounting 7days. |                     |
| Weight                           | 4.2 ± 0,1g   | <b>Microbiological quality</b>   |                     |
|                                  |              | Aerobic bacteria   | < 10 ufc in 10 caps |
|                                  |              | Moulds and yeasts  | < 10 ufc in 10 caps |
|                                  |              | Fecal and Total Coliform   | 0 ufc in 10 caps    |